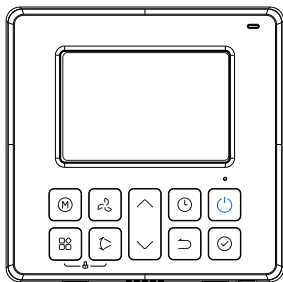


WIRED REMOTE CONTROLLER

---

# Installation and Owner's Manual

MODEL: KJR-120L/F-E



## IMPORTANT NOTE:

Please read this manual carefully before installing or operating your wired remote controller. Make sure to save this manual for future reference.

This manual gives detailed description of the precautions that should be brought to your attention during operation.

In order to ensure correct service of the wired controller please read this manual carefully before using the unit.

For convenience of future reference, keep this manual after reading it.

All the pictures in this manual are for explanation purpose only. There may be slightly different from the wired remote controller you purchased (depend on model). The actual shape shall prevail.

# Table of Contents

|   |    |
|---|----|
| 1. Safety precaution .....                        | 1  |
| 2. Wall-Mounted Remote Control Wiring .....       | 3  |
| 3. Wall-Mounted Remote Control Installation ..... | 9  |
| 4. Name of button on the wired controller .....   | 16 |
| 5. Name on the LCD of the wired controller.....   | 18 |
| 6. Basic Functions .....                          | 19 |
| 7. Troubleshoot Your wired controller .....       | 28 |

## 1. Safety precaution



### **WARNING**

- Please entrust the distributor or professionals to install the unit.
- Installation by other persons may lead to imperfect installation, electric shock or fire.
- Adhere to this installation manual.
- Imporper installation may lead to electric shock or fire.
- Reinstallation must be performed by professionals.

Do not uninstall the unit randomly.

Random uninstalling may lead to abnormal operation, heating or fire of the air condition.

### **NOTE**

- Do not install the unit in a place vulnerable to leakage of flammable gases. Once flammable gases are leaked and left around the wire controller, fire may occure.

## 1. Safety precaution

### NOTE

---

- Do not operate with wet hands or let water enter the wire controller. Otherwise, electric shock may occur.
- The wiring should adapt to the wire controller current. Otherwise, electric leakage or heating may occur and result in fire.
- The specified cables shall be applied in the wiring. No external force may be applied to the terminal. Otherwise, wire cut and heating may occur and result in fire.

## 2. Wall-Mounted Remote Control Wiring



### WARNING

- The wiring should adapt to the wire control current. Otherwise, electric leakage or overheating may occur and result in fire.
- The specified cables shall be used in the wiring. No external force may be applied to the terminal. Otherwise, the wire may be damaged and heating may occur and result in fire.



### CAUTION

- The shielded wire must be grounded.
- The connecting cable should not be longer than 20m (65.5').
- The remote control operates on a low voltage circuit loops. **DO NOT** connect a 220V or 380V cable to the circuit loop.

## 2. Wall-Mounted Remote Control Wiring



### CAUTION

- Make sure that configured tubes are 30-50cm (12-20") or more apart.
- **DO NOT** employ an ohmmeter to detect the insulation after wiring the remote control.

### An overview of the wall-mounted remote control wire outlet

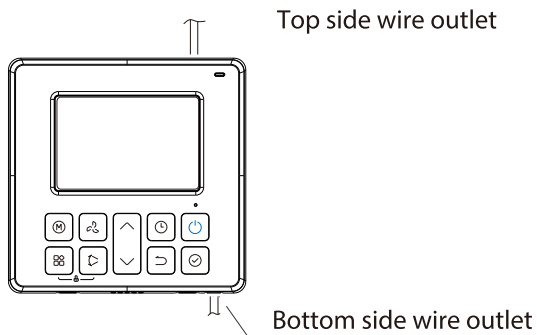


Fig. 1

## 2. Wall-Mounted Remote Control Wiring

### 1. Wiring diagram

Refer to the following diagram to wire the wall-mounted remote control to the indoor unit.

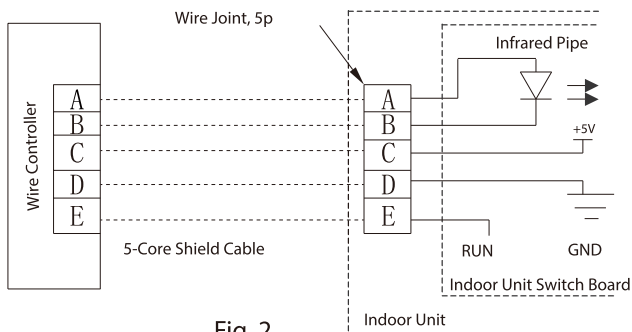


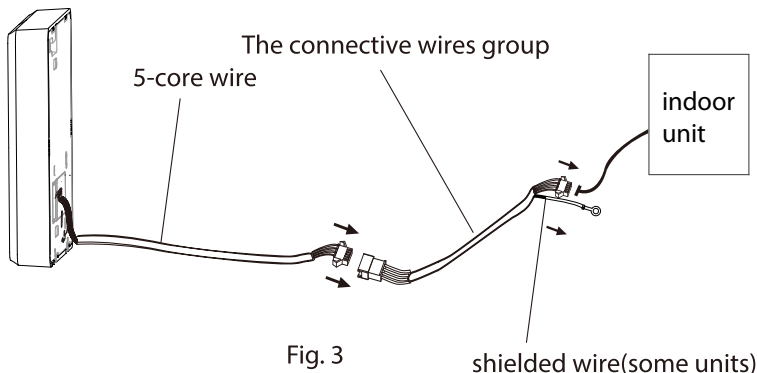
Fig. 2



## 2. Wall-Mounted Remote Control Wiring

### 2. Installation Diagram

Connect the wire from the display panel of the indoor unit to a connecting cable. Then connect the other side of the connecting cable to the remote control.



**NOTE:** Be sure to reserve a length of the connecting wire for periodic maintenance. If there is a connection lug at the end of shielded wire, the connection lug should be properly grounded.

## 2. Wall-Mounted Remote Control Wiring

**NOTE: DO NOT** allow water to enter the remote control.  
Use the trap and putty to seal the wires.

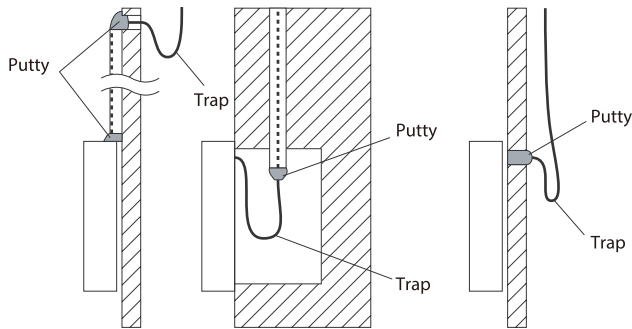


Fig. 4

- For exposed mounting, cut holes on four of the sides according to Fig. 5.
- For shielded wiring, please refer to Fig. 6.

## 2. Wall-Mounted Remote Control Wiring

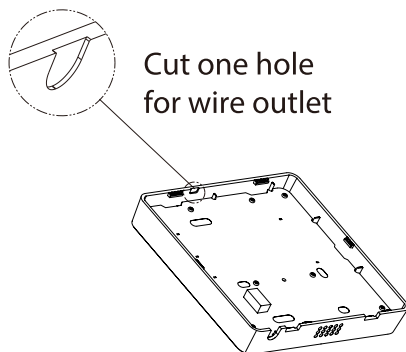
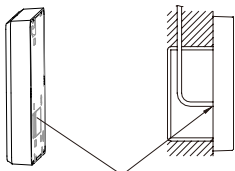


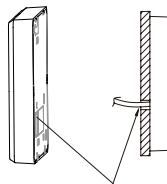
Fig. 5

Embedded switch box wiring



Wiring hole

Wiring through the wall



Wall hole and wiring hole  
Diameter of wall hole:  $\Phi$  2cm

Fig. 6

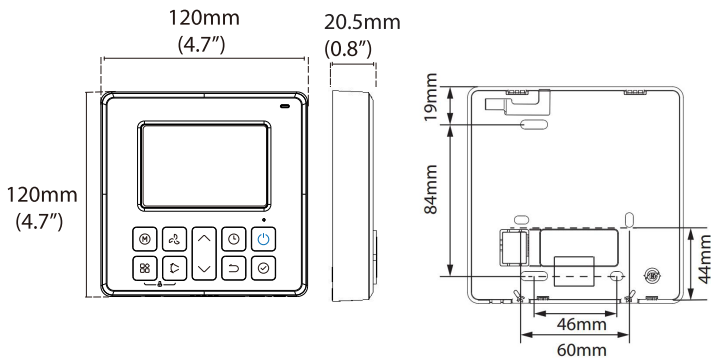
### 3. Wall-Mounted Remote Control Installation



## WARNING

**DO NOT** operate the unit with wet hands, as this could lead to electrical shock.

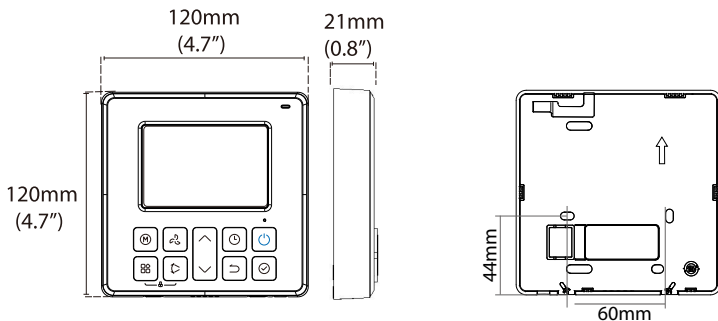
### Remote Control Dimensions



MODEL A  
Fig. 7a

### 3. Wall-Mounted Remote Control Installation

#### Remote Control Dimensions



MODEL B

Fig. 7b

### 3. Wall-Mounted Remote Control Installation

#### Preparation Before Installation

1. Ensure you have the following parts

Table 1

| No | Name                          | Quantity | Remarks                                   |
|----|-------------------------------|----------|---|
| 1  | Remote Control                | 1        |   |
| 2  | Screws                        | 3        | M4X20 (For mounting on the wall)          |
| 3  | Anchors                       | 3        | For mounting on the wall                  |
| 4  | Screws                        | 3        | M4X25 (For mounting on switch box)        |
| 5  | Plastic screw bars            | 2        | For fixing on switch box                  |
| 6  | The connective wires group    | 1        | Optional                                  |
| 7  | Tapping lock screw and washer | 1        | M4X8 (For sheet metal of the indoor unit) |

### 3. Wall-Mounted Remote Control Installation

2. Prepare the following tools

Table 2

| No | Name   | Quantity |
|----|--|----------|
| 1  | Switch box   | 1        |
| 2  | Wiring tube (insulating sleeve and tightening screw) | 1        |

3. Select installation location

**DO NOT** install the remote control near flammable liquids or gases such as gasoline or hydrogen sulfide. Doing so creates a fire hazard.

### 3. Wall-Mounted Remote Control Installation

#### Installation Method

1. Remove the top panel of remote control  
Insert a screwdriver into the two slots at the bottom of the remote control to pop off the top panel.

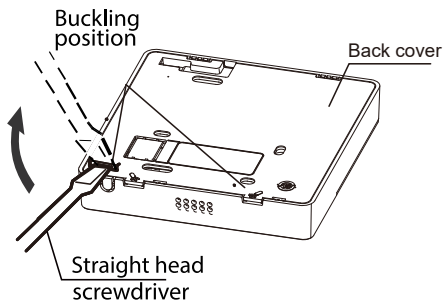


Fig. 8

**NOTE:** The Printed Circuit Board (PCB) is mounted in the upper part of the remote control. Be careful not to damage the board with the screwdriver.



### 3. Wall-Mounted Remote Control Installation

2. Mount the back plate of the remote control
- a. For exposed mounting, fasten the back plate to the wall with 3 screws (M4×20) and anchors.

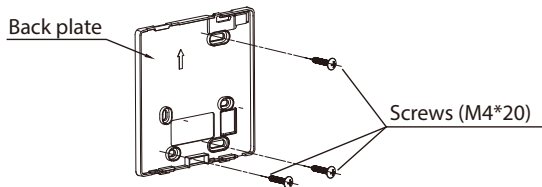


Fig. 9

- b. For flush mounting, fasten the back plate to the switch box with 2 screws (M4×25), and fasten the back plate to the wall with 1 screw (M4×25).

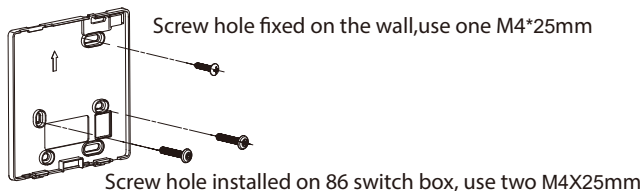


Fig. 10

**NOTE:** Place the unit on a flat surface. Be careful not to distort the back plate of the remote control by over tightening the screws.

### 3. Wall-Mounted Remote Control Installation

#### 3. Reattach the top panel of the remote control

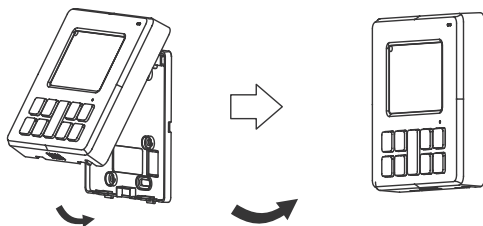


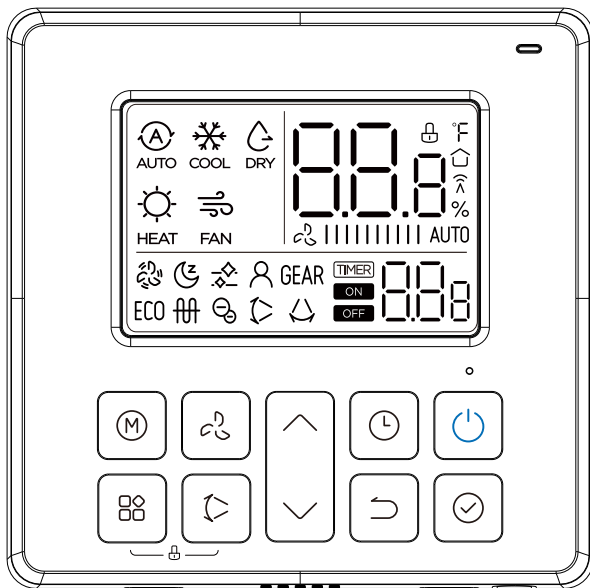
Fig. 11



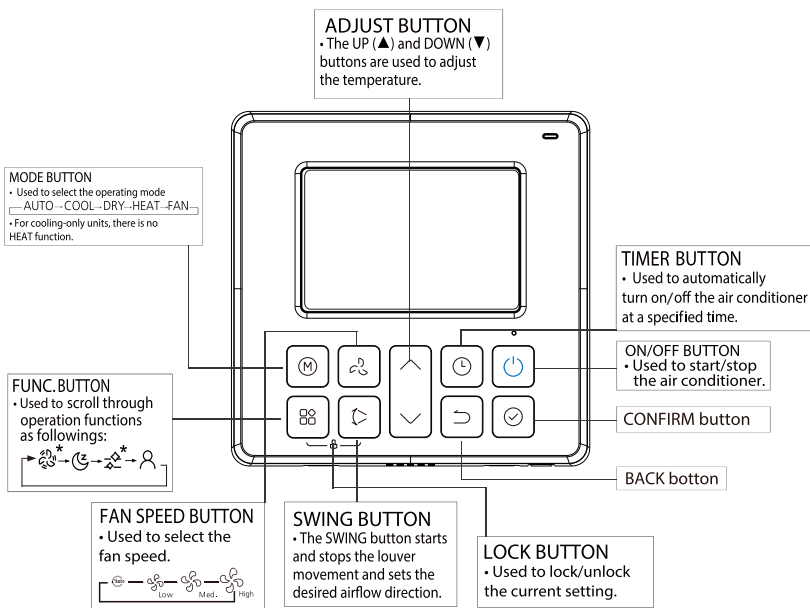
#### **CAUTION**

**DO NOT** clamp the wires when reattaching the top panel.

#### 4. Name of button on the wired controller



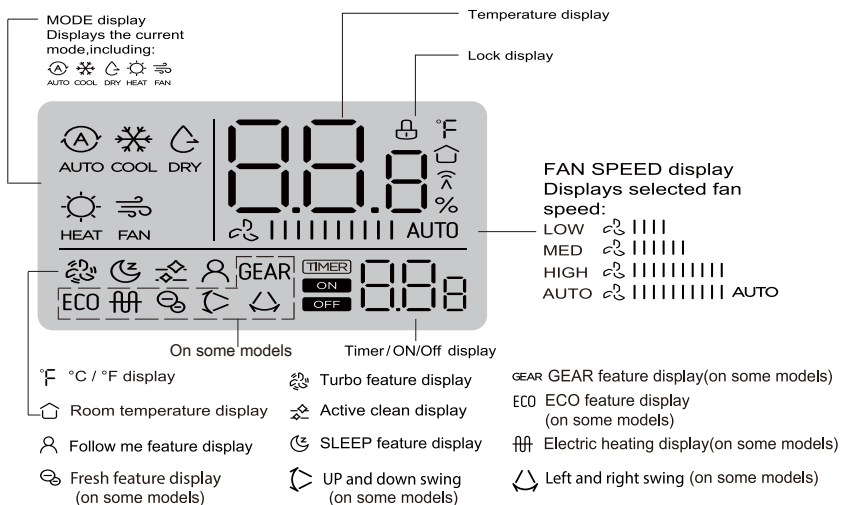
## 4. Name of button on the wired controller



### WARNING

- **DO NOT** remove the cover or touch the interior parts of the remote control.
- **DO NOT** use sharp or pointed objects to press the remote control buttons.

## 5. Name on the LCD of the wired controller



## 6. Basic Functions

The following are instructions for using your air conditioner's basic functions.

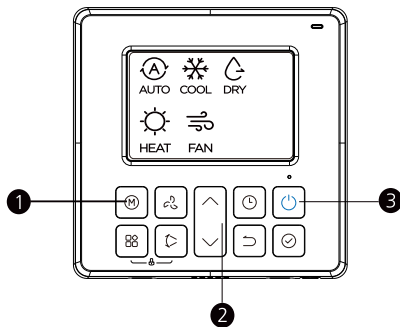
### **AUTO Function**

In AUTO mode, the unit will automatically select the COOL, HEAT, FAN or DRY function based on the set temperature.

- 1 Press the MODE button, select AUTO.
- 2 Set your desired temperature using the UP(▲)and DOWN(▼)buttons.(In AUTO mode, fan speed can not be set.)
- 3 Press the ON/OFF button to start the unit.

### **NOTE:**

In AUTO mode, the fan speed is automatically set on AUTO mode and cannot be changed.

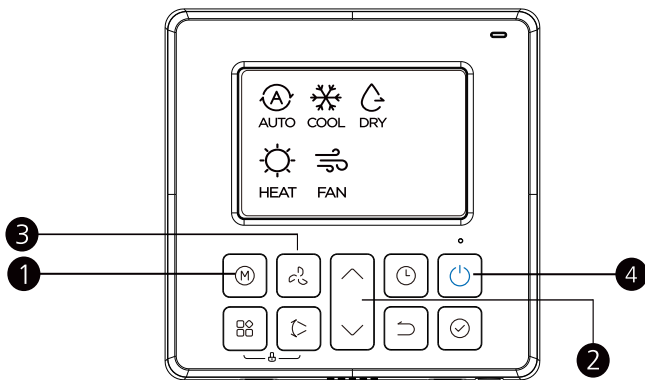


## 6. Basic Functions

### COOL/HEAT/FAN Function

- 1 Press the MODE button to select COOL, HEAT or FAN.
- 2 Set your desired temperature using the UP (▲) and DOWN (▼) buttons.
- 3 Press the FAN SPEED button to select the fan speed.
- 4 Press the ON/OFF button to start the unit.

**NOTE:** In FAN mode, the temperature cannot be changed.

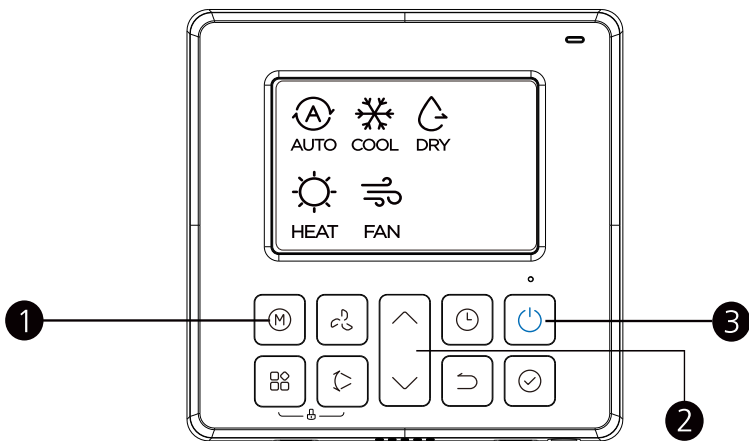


## 6. Basic Functions

### DRY Function

- 1 Press the MODE button, select DRY.
- 2 Set your desired temperature using the UP (▲) and DOWN (▼) buttons.
- 3 Press the ON/OFF button to start the unit.

**NOTE:** In DRY mode, the FAN SPEED buttons cannot be used.



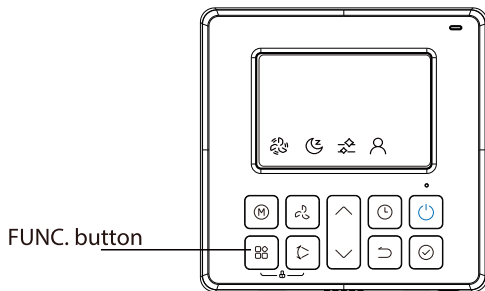


## 6. Basic Functions

### FOLLOW ME Function

- 1 When the Follow Me function is selected, press the confirm button once, and Follow Me on the wired controller will light up.
- 2 When the Follow Me function is selected, press the confirm button again to cancel the Follow Me, and Follow Me icon on the line control will turn off.
- 3 Follow Me function is invalid in DRY and FAN mode.  
Follow Me function is not canceled when pressing the mode key or powering off. Only select follow me in the function key and confirm to cancel follow me, or press 8 degrees heating function to cancel follow me.
- 4 By default, the Follow Me function is enabled on the machine.
- 5 Press this FUNC. button to enter the setting selection.  
Scrolls through operation functions as follows:  
TURBO(🌀) → SLEEP(🌙) → CLEAN(🧹) → FOLLOW ME(👤) → TURBO(🌀)  
The selected symbol will flash on the display area, press the OK button to confirm.

## 6. Basic Functions



### Setting Air Flow Direction

#### 1 Up-Down swing

Press the SWING button to start up-down swing function. The "↕" mark appears. Press it again to stop.

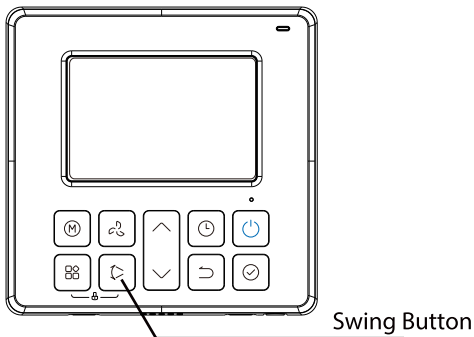
#### 2 Left-Right swing

Press the SWING button for 2 seconds to start Left-Right swing function. The "↔" mark appears. Press it for 2 seconds again to stop.

#### 3 Turn on/off the child lock ( + )

Press and hold the function key and the horizontal swing key for 3 seconds.

## 6. Basic Functions



### TIMER Function

Your air conditioning unit has two timer-related functions:

- **TIMER ON** – sets the amount of time after which the unit will automatically turn on. (Delayed on)
- **TIMER OFF** – sets the amount of time after which the unit will automatically turn on. (Delayed off)

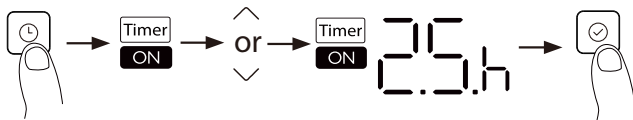
#### 1. TIMER ON Function

The **TIMER ON** function allows you to set a period of time after which the unit will automatically turn on, such as when you come home from work.

## 6. Basic Functions

- Press TIMER ON button. By default, the last time period that you set and an “H” (indicating hours) will appear on the display.
- Press TIMER ON button repeatedly to set the time you want the unit to turn on.
- Wait 3 seconds, then the TIMER ON function will be activated. The digital display on your remote control will then return to the temperature display.

Example: Setting unit to turn on after 2.5 hours.



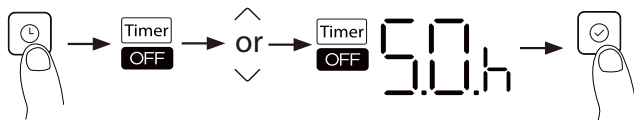
**NOTE:** This number indicates the amount of time after the current time that you want the unit to turn on. For example, if you set TIMER ON for 2 hours, “2.0 H” will appear on the screen, and the unit will turn on after 2 hours.

## 6. Basic Functions

### 2. TIMER OFF Function

The TIMER OFF function allows you to set a period of time after which the unit will automatically turn off, such as when you wake up.

Example: Setting unit to turn on after 5 hours.



**NOTE:** When setting the TIMER ON or TIMER OFF functions, up to 10 hours, the time will increase in 30 minute increments with each press. After 10 hours and up to 24, it will increase in 1 hour increments. The timer will revert to zero after 24 hours. You can turn off either function by setting its timer to “0.0 H.”

## 6. Basic Functions

### Setting both TIMER ON and TIMER OFF at the same time (Combined Timer Function)

Keep in mind that the time periods you set for both functions refer to hours after the current time. For example, say that the current time is 1:00 PM, and you want the unit to turn on automatically at 7:00 PM. You want it to operate for 2 hours, then automatically turn off at 9:00 PM.

### FP function



The unit will operate at high fan speed (while compressor on) with temperature automatically set to 8°C/46°F.

**Note:** This function is for heat pump air conditioner only.

Press this button 2 times during one second under HEAT Mode and setting temperature of 16/17 °C(60/62 °F) or 20 °C/68 °F(for some models) to activate FP function. Press On/Off, Sleep, Mode, Fan and Temp. button while operating will cancel this function.

### °C & °F scale selection(on some models)



Press the buttons "∧" and "∨" for 3 seconds will alternate the temperature display between the °C & °F scale.

## 7. Troubleshoot Your wired controller

| Symptoms   | Possible Causes  | Solution  |
|--|--|---|
| The fan speed cannot be changed.                         | Check whether AUTO mode is selected.   | In AUTO mode, the fan speed is set automatically and cannot be changed.   |
|  | Check whether DRY mode is selected.  | In DRY mode, the FAN SPEED button is ineffective. The fan speed can only be changed in COOL, FAN and HEAT mode. |
| The temperature display is off                           | Check whether FAN mode is selected.  | In FAN mode, the temperature cannot be adjusted.  |
| The TIMER OFF disappears after a period of time          | If the TIMER OFF function was activated, the operation may have finished.  | The air conditioner will automatically stop at the set time and the indicator light will turn off.              |
| The TIMER ON indicator disappears after a period of time | If the TIMER ON function was activated, the operation may have finished.   | The air conditioner will automatically start at the set time and the indicator light will turn off.             |
| There is no sound when the ON/OFF button is pressed.     | Check whether the signal transmitter of the remote control is properly directed towards the infrared signal receiver of the indoor unit. | Point the remote control directly at the receiver and press the ON/OFF button twice.                            |

The design and specifications are subject to change without prior notice for product improvement. Consult with the sales agency or manufacturer for details.

QX001IU-120L  
16117100003394  
20220907